

DEARBORN *Harrow*s

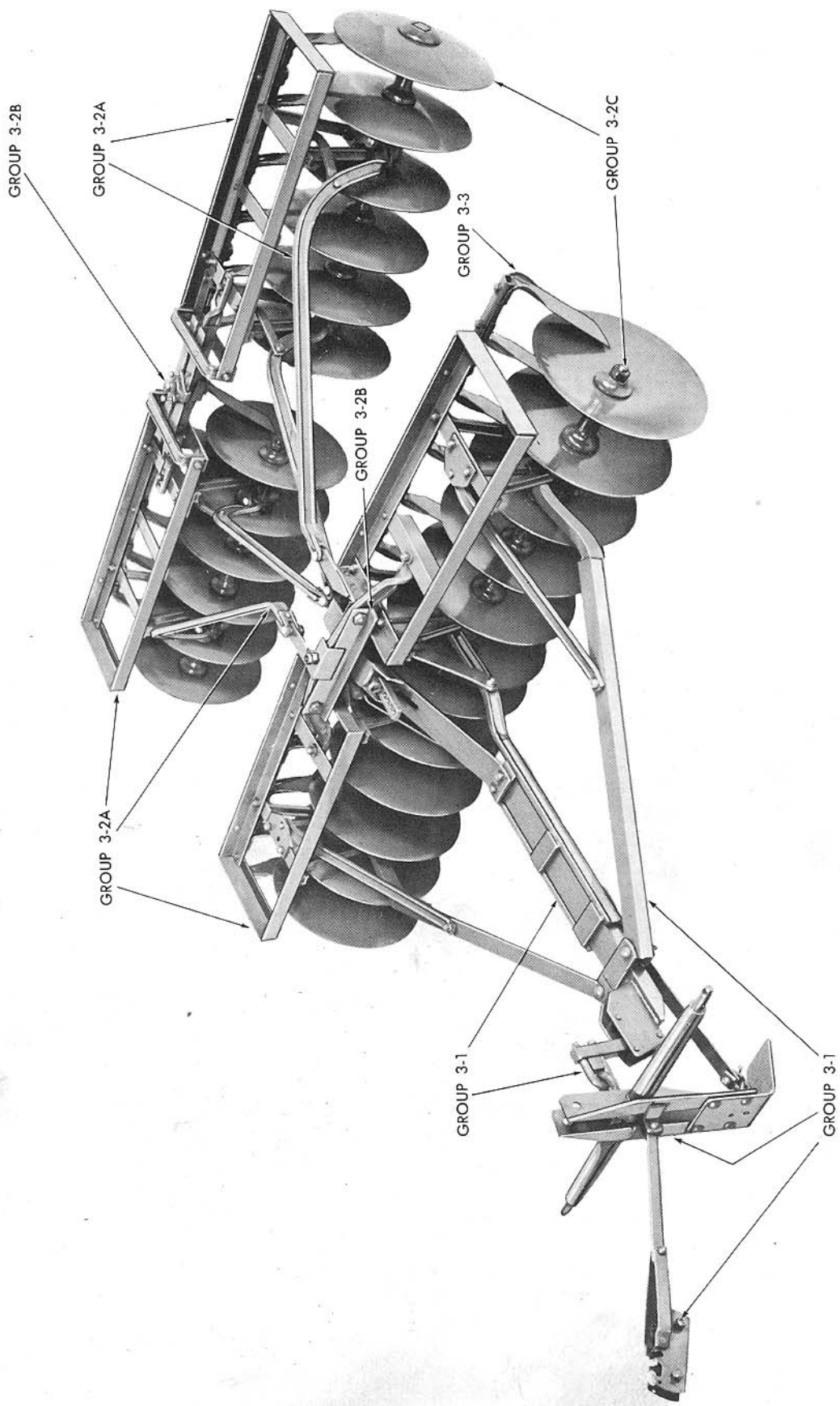


Figure 3 - Dearborn Tandem Disc Harrow, Series "C"

DEARBORN TANDEM DISC

Harrow

SERIES "C" MODELS 11-12, 11-13, 11-14, AND 11-15

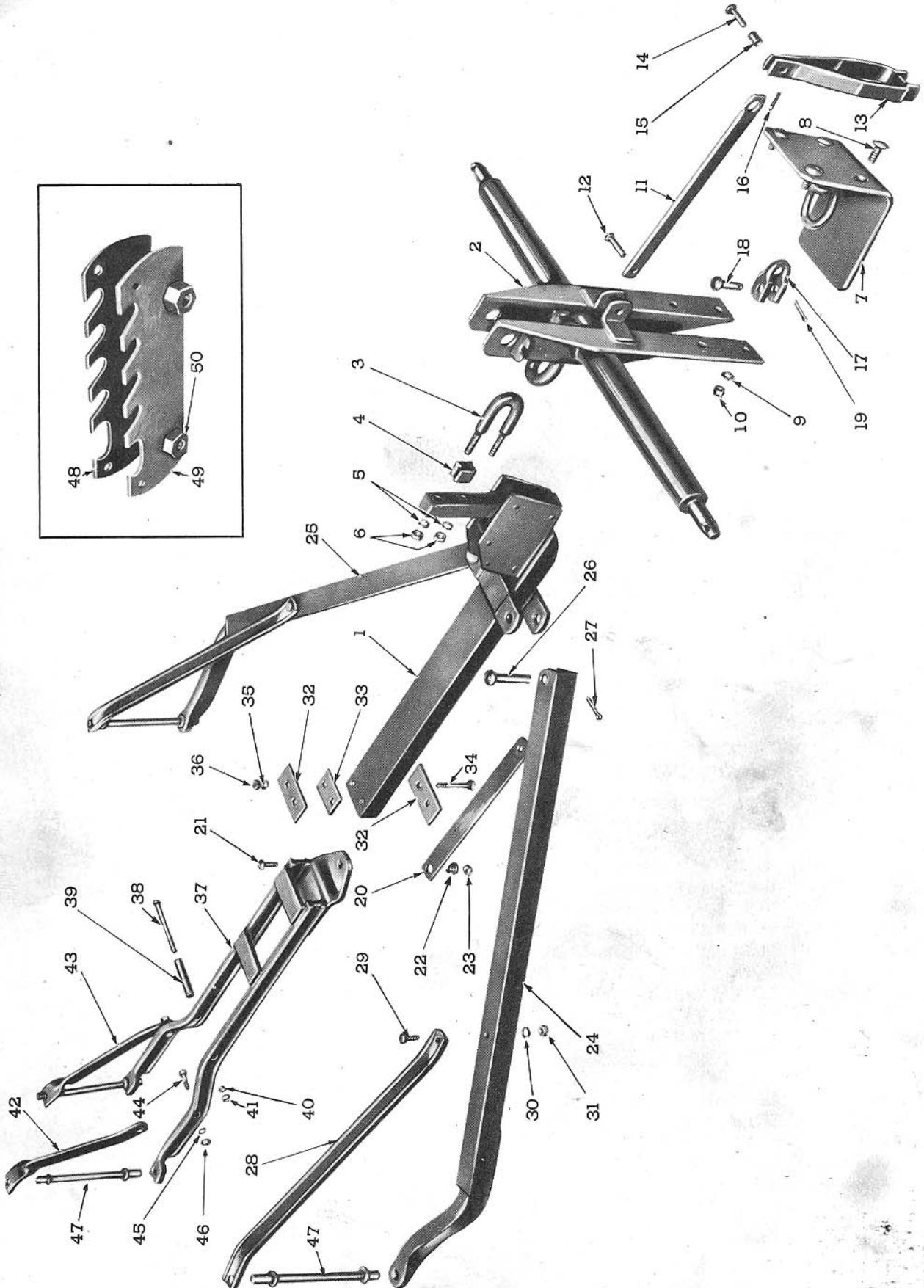


Figure 14 - Pull Frame Assembly

DEARBORN TANDEM DISC *Harrow*

SERIES "C" MODELS 11-12, 11-13, 11-14, AND 11-15

Group 3—DEARBORN TANDEM DISC HARROWS Series "C"—Models 11-12, 11-13, 11-14, and 11-15

FIG. 14	PART NO.	NAME AND DESCRIPTION	QTY. REQ.
Group 3-1—PULL FRAME ASSEMBLY			
1	110531	DRAFT CHANNEL (Welded Assembly)	1
2	110525	DRAWBAR (Welded Assembly)	1
3	110383	YOKE	1
4	110534	FILLER	1
5	34808-S7-8	LOCKWASHER, 7/16" } Drawbar to Draft Channel	1
6	33792-S7-8	NUT, 7/16" - 20 Hex. }	2
7	110526	SHOE, Drawbar (Welded Assembly)	2
8	23413-S7-8	BOLT, 7/16" - 20 x 1" Carr. }	1
9	34808-S7-8	LOCKWASHER, 7/16" } Drawbar Shoe to Drawbar	4
10	33792-S7-8	NUT, 7/16" - 20 Hex. }	4
11	110396	STRAP, Cutting Angle Adjusting	1
12	300081	PIN, 3/8" x 1-5/8" Rd. Hd. Drilled } Strap to Drawbar	1
--	72018-S7-8	COTTER PIN, 5/32" x 3/4" }	1
13	110523	YOKE, Cutting Angle Adjusting (Welded Assembly)	1
14	300080	PIN, 3/8" x 1-3/8" Rd. Hd. Drilled } Yoke to Strap	1
15	110398	BUSHING	1
16	72018-S7-8	COTTER PIN, 5/32" x 3/4" }	1
17	110360	CLEVIS	1
18	300082	PIN, 1/2" x 1-5/8" Rd. Hd. Drilled } Drawbar Shoe to Middle Draft	
19	72037-S7-8	COTTER PIN, 3/16" x 1" } Bar Connecting Strap	1
20	110391	STRAP, Middle Draft Bar Connecting	1
21	23473-S7-8	BOLT, 7/16" - 20 x 1-1/2" Rd. Hd. Carr. }	1
22	110439	BUSHING, Malleable Iron Casting }	1
22	111600	BUSHING, Mild Steel (Optional w/110439 } Connecting Strap to Shaft Bar . . .	1
		*when Malleable Iron Not Available	
23	33792-S7-8	NUT, 7/16" - 20 Hex. }	1
24	110535	DRAFT BAR, Right, Outside (Welded Assembly)	1
25	110536	DRAFT BAR, Left, Outside (Welded Assembly)	1
26	300083	PIN, 5/8" x 2-3/4" Rd. Hd. Drilled } Draft Bar to Draft Channel	2
27	72057-S7-8	COTTER PIN, 1/4" x 1-1/4" }	2
28	110401	BRACE, Outside Draft Bar Angle	2
29	24411-S7-8	CAPSCREW, 7/16" - 20 x 1-1/8" }	2
30	34808-S7-8	LOCKWASHER, 7/16" } Brace to Draft Bar	2
31	33792-S7-8	NUT, 7/16" - 20 Hex. }	2
32	110418	CLIP, Draft Channel	2
33	110419	FILLER, Draft Channel Clip	1
34	300328	BOLT, 7/16" - 20 x 2-7/8" Rd. Hd. Carr. } Draft Channel Clip and Filler	
35	34808-S7-8	LOCKWASHER, 7/16" } to Draft Channel Draft Bar	
36	33792-S7-8	NUT, 7/16" - 20 Hex. } and Adjusting Frame	2
37	110529	DRAFT BAR ASSEMBLY, Middle	1
		Consists of Draft Bar which is not serviced separately	
		plus items listed below:	
38	25052-S7-8	CAPSCREW, 7/16" - 20 x 4-3/4" Hex. } Middle Draft Bar	1
39	110528	SPACER	1
40	34808-S7-8	LOCKWASHER, 7/16" }	1
41	33792-S7-8	NUT, 7/16" - 20 Hex. } Braces to Middle Draft Bar	2
42	110412	BRACE, Middle Draft Bar, Right	1
43	110413	BRACE, Middle Draft Bar, Left	1
44	24451-S7-8	CAPSCREW, 7/16" - 20 x 1-3/8" Hex. }	2
45	34808-S7-8	LOCKWASHER, 7/16" } Braces to Middle Draft Bar	2
46	33792-S7-8	NUT, 7/16" - 20 Hex. }	4
47	110562	PIN, Gang Draft	1
48	110521	PLATE, Adjusting Rack (Welded Assembly)	1
49	110522	PLATE, Adjusting Rack	1
50	23503-S7-8	BOLT, 7/16" - 20 x 1-3/4" Rd. Hd. Carr. } Adjusting Rack Plates to	
50	34808-S7-8	LOCKWASHER, 7/16" } Tractor Top Link	2
50	33792-S7-8	NUT, 7/16" - 20 Hex. }	2

DEARBORN TANDEM DISC Harrows

SERIES "C" MODELS 11-12, 11-13, 11-14, AND 11-15

Group 3-2 GANG ASSEMBLIES

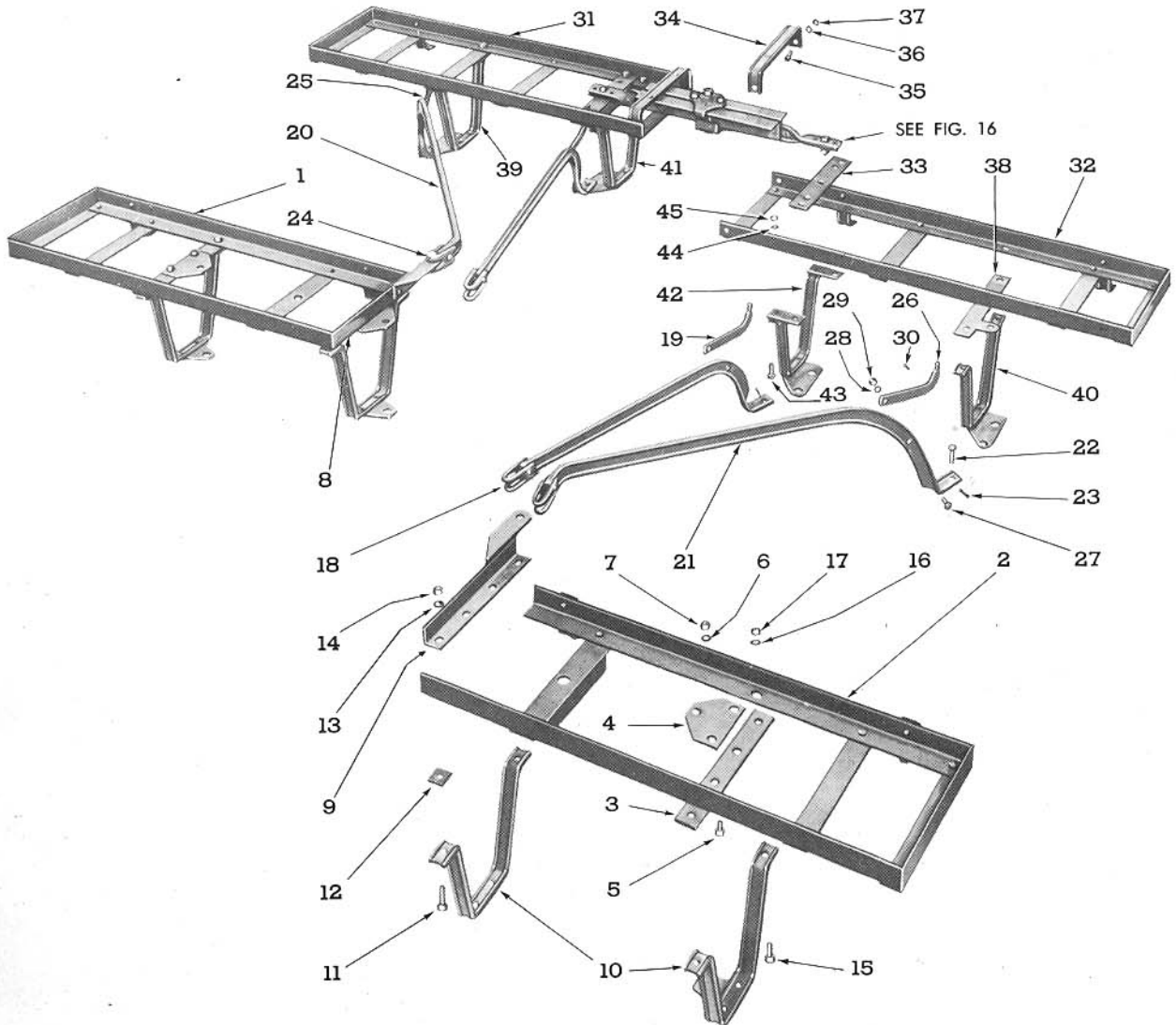


Figure 15 - Weight Box Assemblies

FIG. 15	PART-NO.	NAME AND DESCRIPTION	QTY. REQ.		
			11-12	11-13 11-14	11-15
Group 3-2A—WEIGHT BOX ASSEMBLIES					
-	110539	WEIGHT BOX, Front Right, 5' (Riveted Assembly)	1		
-	110540	WEIGHT BOX, Front Left, 5' (Riveted Assembly)	1		
-	110541	WEIGHT BOX, Front Right, 6' (Riveted Assembly)		1	
-	110542	WEIGHT BOX, Front Left, 6' (Riveted Assembly)		1	
1	110543	WEIGHT BOX, Front Right, 7' (Riveted Assembly)			1
2	110544	WEIGHT BOX, Front Left, 7' (Riveted Assembly)			1
3	110377	STRAP, Front Weight Box	2	2	2
4	110572	PLATE, Draft Pin. www.ntractorclub.com	4	4	4

DEARBORN TANDEM DISC *Harrow*

SERIES "C" MODELS 11-12, 11-13, 11-14, AND 11-15

FIG. 15	PART NO.	NAME AND DESCRIPTION	QTY. REQ.		
			11-12	11-13 11-14	11-15
Group 3-2A—WEIGHT BOX ASSEMBLIES					
(Cont'd)					
5	23413-S7-8	BOLT, 7/16" - 20 x 1" Rd. Hd. Carr. }			
6	34808-S7-8	LOCKWASHER, 7/16" }			
7	33792-S7-8	NUT, 7/16" - 20 Hex. }			
8	110557	END, Front Weight Box Right, Inside (Riveted Assembly)	8	8	8
9	110558	END, Front Weight Box, Left, Inside (Riveted Assembly)	1	1	1
10	110559	BEARING HANGER, Front (Welded Assembly)	1	1	1
11	20894-S7-8	BOLT, 7/16" - 20 x 1-11/16" Mach. Hex. }	4	4	4
12	110370	WASHER, Spacer }			
13	34808-S7-8	LOCKWASHER, 7/16" }			
14	33792-S7-8	NUT, 7/16" - 20 Hex. }			
15	20895-S7-8	BOLT, 7/16" - 20 x 1-7/16" Mach. Hex. }	4	4	4
16	34808-S7-8	LOCKWASHER, 7/16" }			
17	33792-S7-8	NUT, 7/16" - 20 Hex. }			
18	110596	TRAILER REACH, Inside (Riveted Assembly)	4	4	4
--	300082	PIN, Rd. Hd. Drilled }	2	2	2
--	72037-S7-8	COTTER PIN, 3/16" x 1" }			
--	300087	PIN, Rd. Hd. Drilled }	2	2	2
--	351484-S7-8	WASHER, 9/16" Flat }			
--	72037-S7-8	COTTER PIN, 3/16" x 1" }	2	2	2
19	110409	BRACE, Inside Trailer Reach	2	2	2
--	24431-S7-8	CAPSCREW, 7/16" - 20 x 1-1/4" }	2	2	2
--	34808-S7-8	LOCKWASHER, 7/16" }			
--	33792-S7-8	NUT, 7/16" - 20 Hex. }	2	2	2
--	72037-S7-8	COTTER PIN, 3/16" x 1" - Brace to Rear Weight Box	2	2	2
20	110597	TRAILER REACH, Right, Outside (Riveted Assembly)	1	1	1
21	110598	TRAILER REACH, Left, Outside (Riveted Assembly)	1	1	1
22	300082	PIN, Rd. Hd. Drilled }			
23	72037-S7-8	COTTER PIN, 3/16" x 1" }	2	2	2
24	300087	PIN, Rd. Hd. Drilled }			
24	351484-S7-8	WASHER, 9/16" Flat }			
24	72037-S7-8	COTTER PIN, 3/16" x 1" }	2	2	2
25	110410	BRACE, Trailer Reach, Right, Outside	1	1	1
26	110411	BRACE, Trailer Reach, Left, Outside	1	1	1
27	24431-S7-8	CAPSCREW, 7/16" - 20 x 1-1/4" Hex. }			
28	34808-S7-8	LOCKWASHER, 7/16" }			
29	33792-S7-8	NUT, 7/16" - 20 Hex. }	2	2	2
30	72037-S7-8	COTTER PIN, 3/16" x 1" - Brace to Rear Weight Box	2	2	2
--	110601	WEIGHT BOX, Rear Right, 5' (Riveted Assembly)	1		
--	110602	WEIGHT BOX, Rear Left, 5' (Riveted Assembly)	1		
--	110603	WEIGHT BOX, Rear Right, 6' (Riveted Assembly)		1	
--	110604	WEIGHT BOX, Rear Left, 6' (Riveted Assembly)		1	
31	110605	WEIGHT BOX, Rear Right, 7' (Riveted Assembly)			1
32	110606	WEIGHT BOX, Rear Left, 7' (Riveted Assembly)			1
33	110421	BAR, Snubber	2	2	2
--	24421-S7-8	BOLT, 7/16" - 20 x 1-3/16" Hex. Hd. }			
--	34808-S7-8	LOCKWASHER, 7/16" }			
--	33792-S7-8	NUT, 7/16" - 20 Hex. }	4	4	4
34	110619	GUIDE, Snubber (Welded Assembly)	2	2	2
35	24421-S7-8	BOLT, 7/16" - 20 x 1-3/16" Hex. Hd. }			
36	34808-S7-8	LOCKWASHER, 7/16" }			
37	33792-S7-8	NUT, 7/16" - 20 Hex. }	4	4	4
38	110620	CROSS STRAP, Outside (Welded Assembly)		2	2
39	110624	BEARING HANGER, Outside Right, Rear (Welded Assembly)	1	1	1
40	110625	BEARING HANGER, Outside Left, Rear (Welded Assembly)	1	1	1

DEARBORN TANDEM DISC

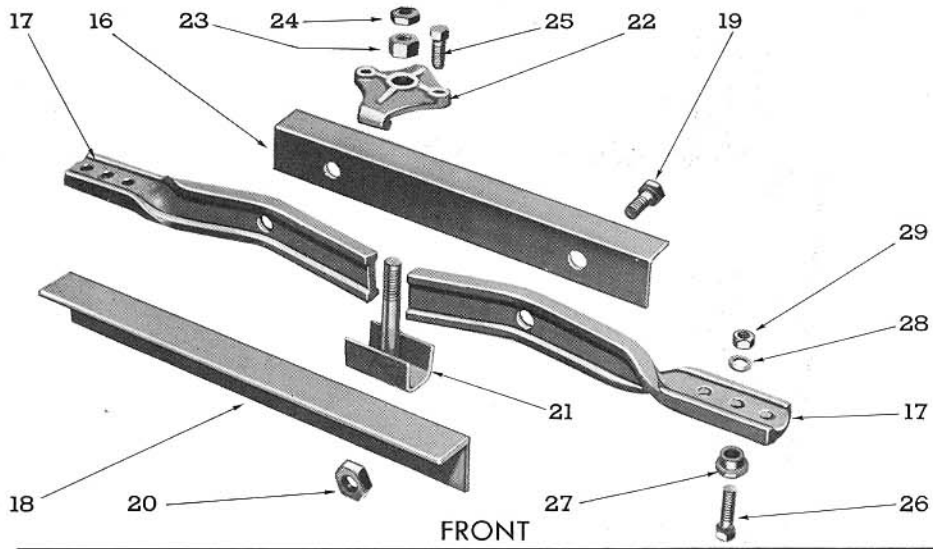
Harrow

SERIES "C" MODELS 11-12, 11-13, 11-14, AND 11-15

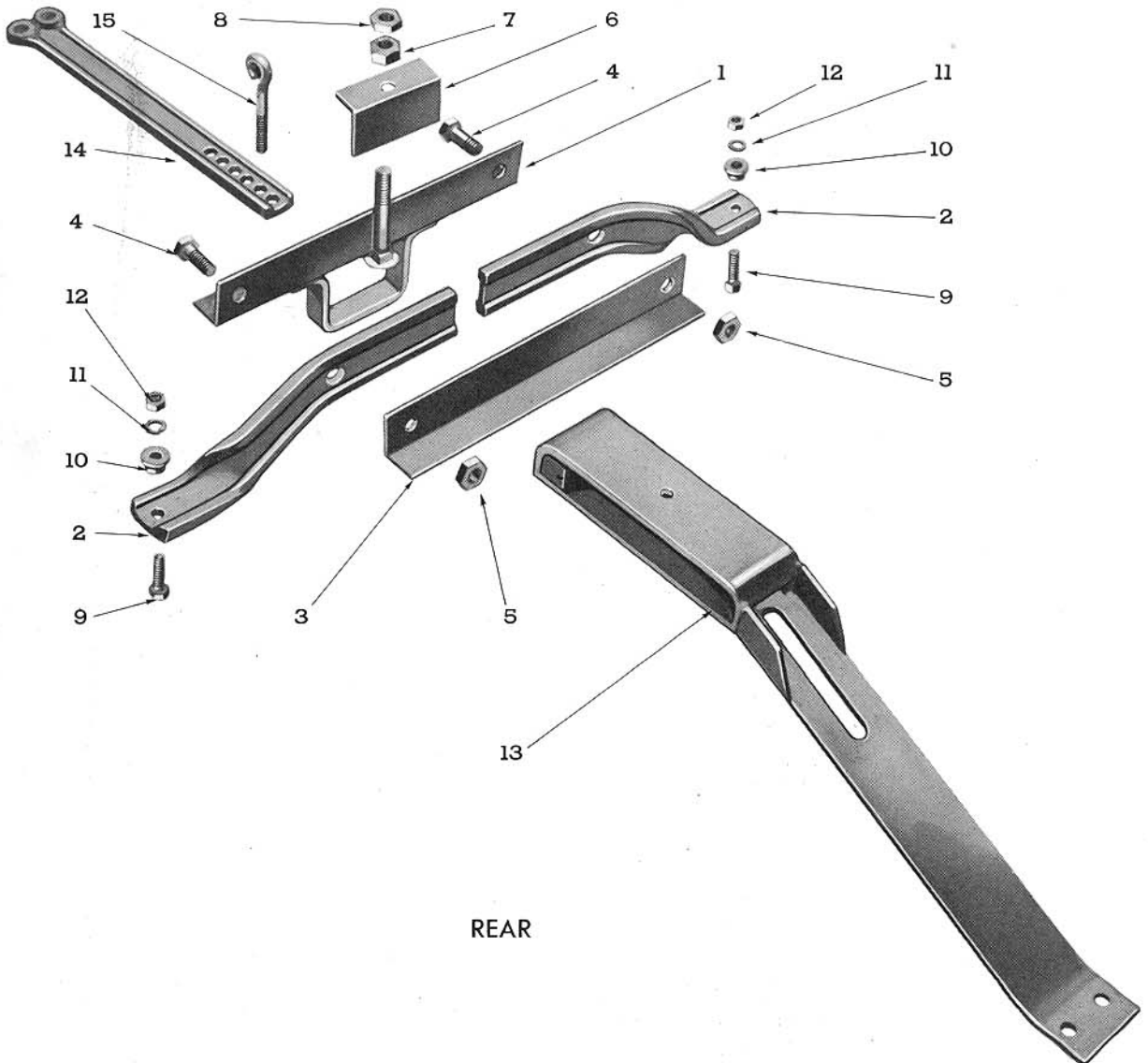
FIG. 15	PART NO.	NAME AND DESCRIPTION	QTY. REQ.		
			11-12	11-13 11-14	11-15
Group 3-2A—WEIGHT BOX ASSEMBLIES (Cont'd)					
--	20895-S7-8	BOLT, 7/16" - 20 x 1-7/16" Mach.	} Outside Rear Bearing Hanger and Cross Strap to Weight Box	4	4
--	34808-S7-8	LOCKWASHER, 7/16"			
--	33792-S7-8	NUT, 7/16" - 20 Hex.			
41	110626	BEARING HANGER, Inside Right, Rear (Welded Assembly)	1	1	1
42	110627	BEARING HANGER, Inside Left, Rear (Welded Assembly)	1	1	1
43	20895-S7-8	BOLT, 7/16" - 20 x 1-1/2" Hex. Hd.	} Inside Rear Bearing Hanger to Weight Box	4	4
44	34808-S7-8	LOCKWASHER, 7/16"			
45	33792-S7-8	NUT, 7/16" - 20 Hex.			

DEARBORN TANDEM DISC Harrows

SERIES "C" MODELS 11-12, 11-13, 11-14, AND 11-15



FRONT



REAR

Figure 16 - Snubber Assemblies

DEARBORN TANDEM DISC *Harrow*

SERIES "C" MODELS 11-12, 11-13, 11-14, AND 11-15

FIG. 16	PART NO.	NAME AND DESCRIPTION	QTY. REQ.		
			11-12	11-13 11-14	11-15
Group 3-2B-SNUBBER ASSEMBLIES					
1	110574	CROSSMEMBER and BOLT, Rear (Welded Assembly)	1	1	1
2	110405	ARM, Snubber	2	2	2
3	110423	CROSSMEMBER, Front	1	1	1
4	21008-S7-8	BOLT, 9/16" - 12 x 1-1/2" Hex. Hd. { Rear Crossmember and Snubber Arm to Front Crossmember	2	2	2
5	33944-S7-8				
6	110371	PLATE, Rear Crossmember Bolt Adjusting.	1	1	1
7	33849-S7-8	NUT, 5/8" - 11 Hex. } Rear Crossmember Bolt	1	1	1
8	34094-S7-8	NUT, 5/8" - 11 Jam			
9	20895-S7-8	BOLT, 7/16" - 20 x 1-1/2" Hex. Hd. } Front Snubber Arm to Weight Box	2	2	2
10	110439	BUSHING, Malleable Iron Casting			
--	111600	BUSHING, Mild Steel (Optional w/110439 when Malleable Iron is not available)			
11	34808-S7-8	LOCKWASHER, 7/16"	2	2	2
12	33792-S7-8	NUT, 7/16" - 20 Hex.			
13	110538	FRAME, Trailer Adjusting (Welded Assembly)	1	1	1
14	110402	BAR, Trailer Adjusting	1	1	1
15	110537	EYE BOLT - Trailer Adjusting Bar to Adjusting Frame	1	1	1
16	110438	CROSSMEMBER, Rear	1	1	1
17	110436	ARM, Snubber	2	2	2
18	110437	CROSSMEMBER, Front	1	1	1
19	21008-S7-8	BOLT, 9/16" - 12 x 1-1/2" Hex. Hd. { Rear Crossmember and Snubber Arm to Front Crossmember	2	2	2
20	33944-S7-8				
21	110622	CHANNEL and BOLT, Rear (Welded Assembly)	1	1	1
22	110445	PLATE, Rear Snubber Stop	1	1	1
23	33849-S7-8	NUT, 5/8" - 11 Hex. } Rear Snubber Bolt and Stop Plate	1	1	1
24	34094-S7-8	NUT, 5/8" - 11 Jam			
25	91231-S7-8	SET SCREW, 1/2" - 13 x 1-1/4" Rd. Pt. Hex. - Rear Snubber Stop Plate	2	2	2
26	20895-S7-8	BOLT, 7/16" - 20 x 1-1/2" Hex. Hd. } Rear Snubber Arm to Weight Box	2	2	2
27	110439	BUSHING, Malleable Iron Casting			
--	111600	BUSHING, Mild Steel (Optional w/110439 when Malleable Iron is not available)			
28	34808-S7-8	LOCKWASHER, 7/16"	2	2	2
29	33792-S7-8	NUT, 7/16" - 20 Hex.			

DEARBORN TANDEM DISC Harrows

SERIES "C" MODELS 11-12, 11-13, 11-14, AND 11-15

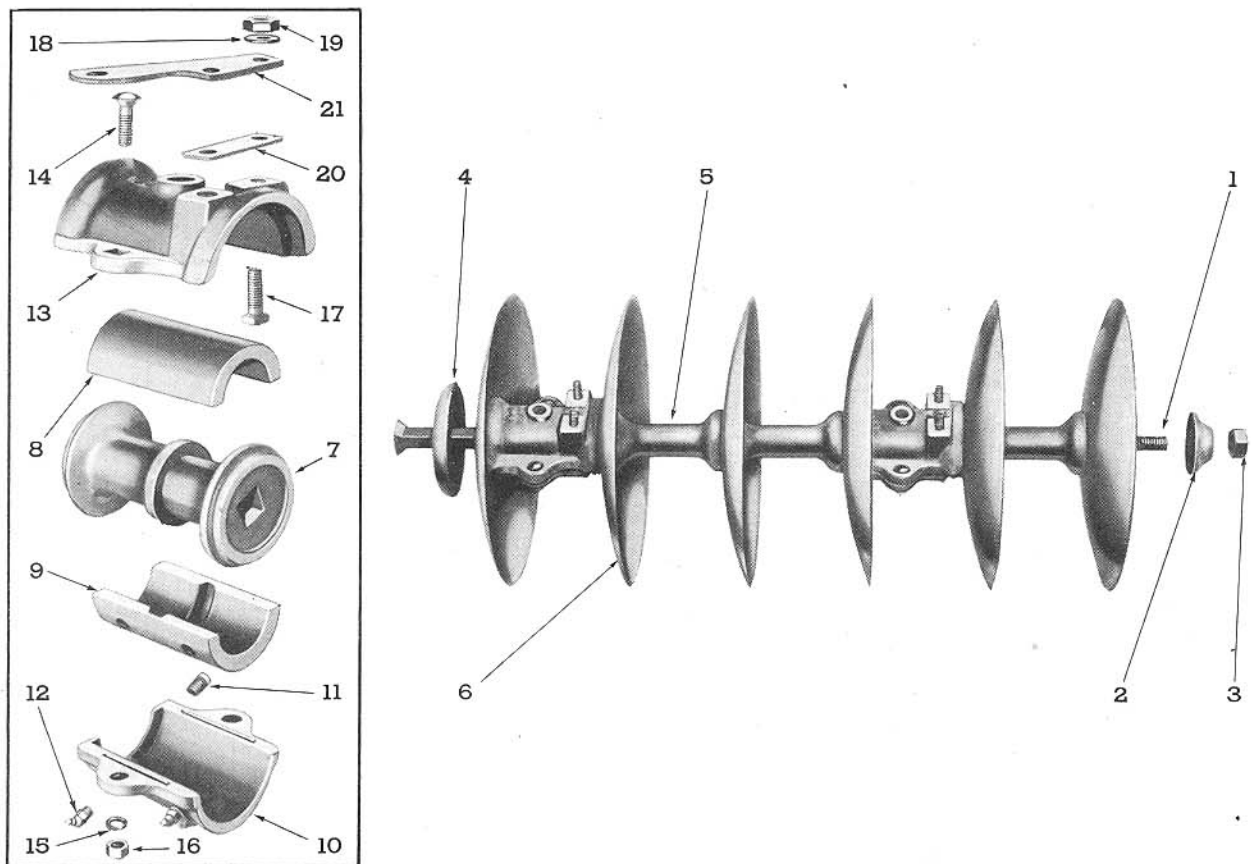


Figure 17 - Disc and Bearing Assemblies

FIG. 17	PART NO.	NAME AND DESCRIPTION	QTY. REQ.		
			11-12	11-13 11-14	11-15
Group 3-2C—DISC AND BEARING ASSEMBLIES					
-	110582	BOLT, Gang, Right 5'	2		
-	110583	BOLT, Gang, Left 5'	2		
-	110584	BOLT, Gang, Right 6'		2	
-	110585	BOLT, Gang, Left 6'		2	
-	110586	BOLT, Gang, Right 7'			2
1	110587	BOLT, Gang, Left 7'			2
2	110442	WASHER, Gang Bolt	4	4	4
-	300084	NUT, 7/8" - 9 Hex. RH Thread - Right Gang Bolt	2	2	2
3	300085	NUT, 7/8" - 9 Hex. LH Thread - Left Gang Bolt	2	2	2
4	110444	BUMPER, Front Gang Bolt	2	2	2
-	110443	BUMPER, Rear Gang Bolt	2	2	2
5	110441	SPOOL, Spacer	8	12	16
6	110588	DISC, 16" (Models 11-13 and 11-15 Only)		24	28
-	110589	DISC, 18" (Models 11-12 and 11-14 Only)	20	24	
7	110446	SPOOL, Bearing	8	8	8
8	110431	BEARING, Wood, Top	8	8	8
9	110432	BEARING, Wood, Bottom	8	8	8
-	110447	CAP, Bearing Box, Lower Right	4	4	4
10	110448	CAP, Bearing Box, Lower Left	4	4	4
11	110400	ADAPTER			
12	353024-S7-8	FITTING, Lube } Bearing Box Lower Cap	16	16	16
13	110449	CAP, Front Bearing Box Upper	4	4	4

DEARBORN TANDEM DISC

Harrow

SERIES "C" MODELS 11-12, 11-13, 11-14, AND 11-15

FIG. 17	PART NO.	NAME AND DESCRIPTION	QTY. REQ.		
			11-12	11-13 11-14	11-15
Group 3-2C—DISC AND BEARING ASSEMBLIES (Cont'd)					
--	110594	CAP, Rear Bearing Box Upper			
14	23473-S7-8	BOLT, 7/16" - 20 x 1-7/16" Rd. Hd. Carr.	4	4	4
15	34808-S7-8	LOCKWASHER, 7/16"			
16	33792-S7-8	NUT, 7/16" - 20 Hex.			
--	300099	BOLT, 7/16" - 20 x 1-3/8" Sq. Hd.	16	16	16
--	34808-S7-8	LOCKWASHER, 7/16"			
--	33792-S7-8	NUT, 7/16" - 20 Hex.	8	8	8
17	300110	BOLT, 7/16" - 20 x 2" Sq. Hd. Mach.			
18	34808-S7-8	LOCKWASHER, 7/16"			
19	33792-S7-8	NUT, 7/16" - 20 Hex.	8	8	8
20	110425	SPACER, Rear Bearing Draft Plate	4	4	4
21	110428	PLATE, Rear Bearing Draft	4	4	4

DEARBORN TANDEM DISC Harrows

SERIES "C" MODELS 11-12, 11-13, 11-14, AND 11-15

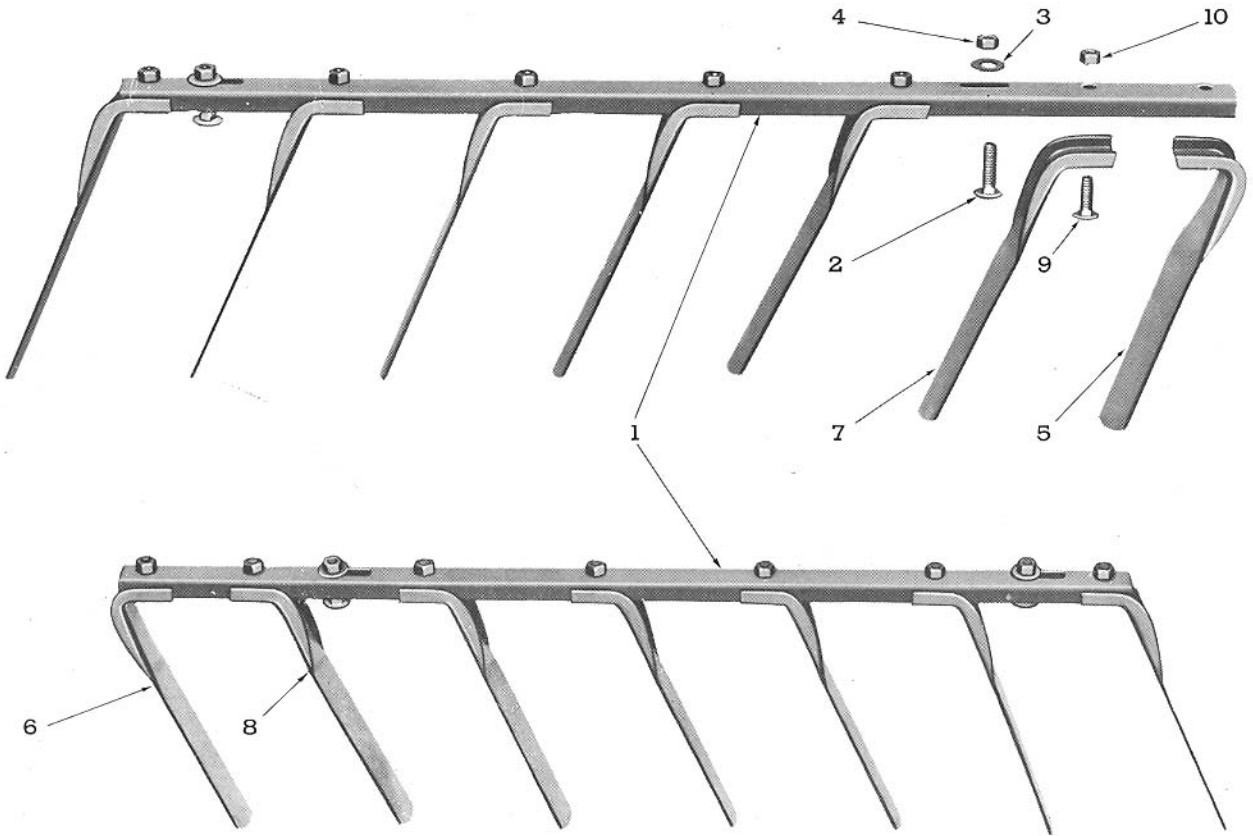


Figure 18 - Scraper Assemblies

FIG. 18	PART NO.	NAME AND DESCRIPTION	QTY. REQ.		
			11-12	11-13 11-14	11-15
Group 3-3-SCRAPER ASSEMBLIES					
-	110569	RAIL, Scraper, 5'	4		
-	110570	RAIL, Scraper, 6'		4	
1	110571	RAIL, Scraper, 7'			4
2	300086	BOLT, 7/16" - 20 x 1-7/8"			
3	34709-S7-8	WASHER, 1/2" Flat			
4	33792-S7-8	NUT, 7/16" - 20 Hex.			
5	110361	BLADE, Scraper, Special, Right	2	2	2
6	110362	BLADE, Scraper, Special, Left	2	2	2
7	110363	BLADE, Scraper, Regular, Right	8	10	12
8	110364	BLADE, Scraper, Regular, Left	8	10	12
9	23473-S7-8	BOLT, 7/16" - 20 x 1-7/16" Rd. Hd. Carr.			
10	33792-S7-8	NUT, 7/16" - 20 Hex.			
		Scrapers Rail to Weight Box	8	8	8
		Scrapers Blade to	20	24	28